



Description

The FHS-340R-WP Horn/Strobe provides a wide range of candela light output options in a single device. The candela settings include a 12 or 24 volt DC operation for the 15, 35 and 60 (75 on axis) candela settings and 24 volt DC operation for the 15, 35, 60, 75, 95 and 110 candela settings. The candela setting is displayed through the front window and is selectable using a drum wheel. The strobes can be synchronized using a control panel with the Mircom (Amseco) sync protocol or an SDM-240 sync module.

The horn settings include Temporal, Non-Temporal, March Time and a Chime sound. The horn also has Low, Mid and High volume settings for each pattern and tone. The tones include 2400 Hz, Electro-Mechanical and Broadband.

The voltage input can be either regulated DC or full wave rectified (FWR) 12 volt or 24 volt operation with an operating range of 8 to 33V DC.

The FHS-340R-WP utilizes a universal mounting plate. The back plate allows the installer to mount the plate and terminate the wire connections. The horn/strobe attaches in a hinge fashion from the top and is secured by a single mounting screw. The horn/strobe completely covers the mounting back plate, therefore it can be mounted before other trades work is completed and not affect the final look.

The FHS-340R-WP is listed for both outdoor and indoor installations and comes complete with a matching weatherproof back box.

Features

- UL and C-UL listed
- 12 VDC with 15, 35 or 60 cd settings
- 24 VDC with 15, 35, 60, 75, 95 or 110 cd settings
- Outdoor and indoor
- 6 distinctive candela settings
- Candela selection view window
- 15/75 ADA compliant on 60cd setting
- 33 sound output settings
- Horn or chime sound output
- Pre-wire back plate
- Universal back plate mounting (single gang, double gang, octagon, or 4" square)
- Single screw mounting

Engineering Specifications

The installer shall provide and install the FHS-340R-WP selectable horn/strobe. The strobe shall have six (6) candela settings. The candela settings shall be selectable using a drum roller and shall display the candela setting on the front of the device. The horn shall have 33 selectable settings configurable by dip switches. The sounder shall be capable of ANSI Temporal Code 3, March Time and produce a chime output. The horn shall have three distinct volume levels. The horn/strobe shall operate at 12 or 24 VDC regulated or full wave rectified. The horn/strobe shall have an operating range between 8 and 33 VDC. The strobes can be synchronized using a control panel with the Mircom(Amseco) sync protocol or an SDM-240 sync module. The horn/strobe shall utilize a mounting plate that allows the installer to pre-wire the mounting plate. The FHS-340R-WP is listed for both outdoor and indoor applications. For outdoor installations, the device must be mounted on the matching weatherproof backbox. The mounting plate shall be completely covered by the horn/strobe and shall be secured by a single screw. The horn/strobe shall be UL listed to standard 1638, General Signaling, and standard 1971, Signaling Devices for the Hearing Impaired. In addition, the horn/strobes shall be C-UL listed to CAN-ULC S526. The horn shall be UL listed to standard 464, Audible Signaling Devices.

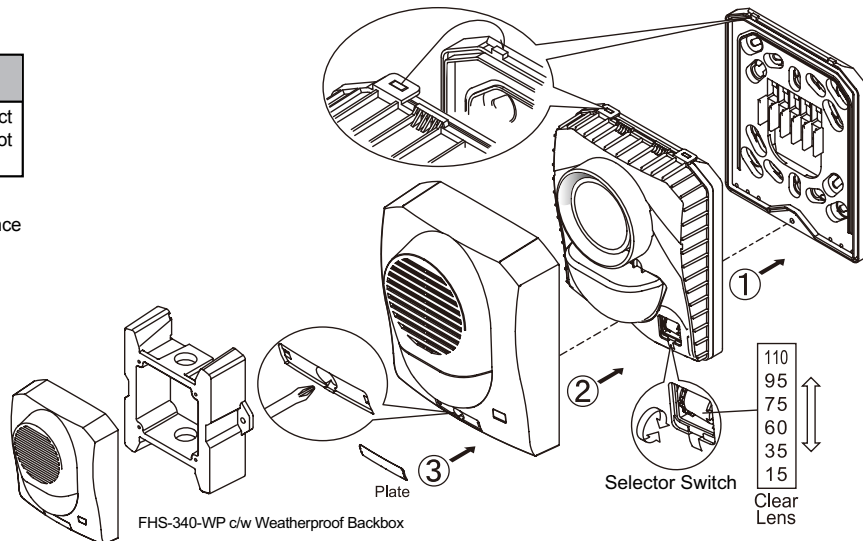


Installation

CAUTION

A jumper plug is provided to test for correct wiring in the supervisory mode only. Do not pass alarm current through the jumper.

Note: Installation must comply in accordance with applicable standards.

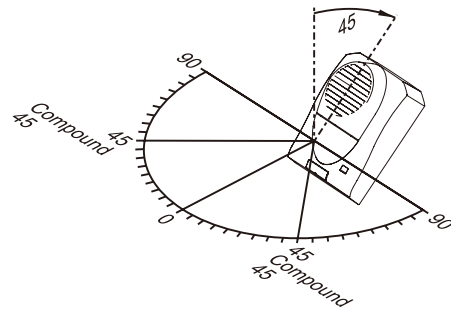
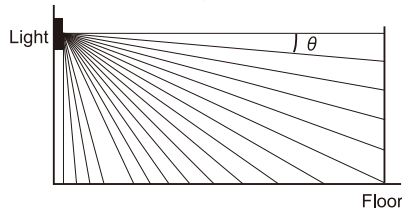


Light Output

Light output in percentage when measured from the following directions per UL 1971.

Degrees	% of Rating	
	Horizontal	Vertical
0	100	100
5~25	90	90
30	75	90
35	75	65
40	75	46
45	75	34
50	55	27
55	45	22
60	40	18
65	35	16
70	35	15
75	30	13
80	30	12
85~90	25	12

Wall mount vertical dispersion



WARNING

High voltage may be present inside the light assembly even though power is not connected. If access to the component board is required (removal or replacement), the capacitor must be discharged by touching a wire to both ends of the flash tube. DO NOT attempt to touch or move the assembly until the capacitor has been discharged.

Specifications

Strobe Current

Setting	Light Output	Max. RMS Operating Current (mA RMS)			
		Reg. 12 VDC	Reg. 12 FWR	Reg. 24 VDC	Reg. 24 FWR
1	15cd	129	185	100	102
2	35cd	160	214	135	161
3	60/75cd	193	239	171	202
4	75cd	NA	NA	190	228
5	95cd	NA	NA	211	255
6	110cd	NA	NA	225	284

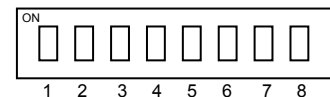
Voltage	12/24V	
UL Designation	Regulated 12 DC/ FWR	Regulated 24 DC/ FWR
Operating Voltage Range	8 - 17.5V	16 - 33V
Flash Rate	60 times/min.	
Sync Module (SDM-240)	N/A	Available
Operating Temperature Range	Indoor installations: 32°F to 120°F (0°C to 49°C) Outdoor installations: -40°F to 151°F (-40°C to 66°C)	

Dipswitch Settings

Horn Dipswitch

Pattern

- 1 ON - Non-temporal
- 1 OFF - Temporal
- Both 2 = OFF
- 1 and 2 ON = March Time



Tone

- 3 and 4 ON = 2400Hz
- 3 ON and 4 OFF = Electromechanical
- 3 and 4 OFF = Chime
- 3 OFF and 4 ON = Broadband

Volume

- 5 and 6 ON = High
- 5 ON and 6 OFF = Mid
- 5 and 6 OFF = Low
- 7 and 8 ON = Horn/strobe on 2 wires
- 7 and 8 OFF = Horn and strobe on 4 wires

Specifications

Non-Temporal Horn Current

Pattern	Volume	Max. RMS Operating Current (mA RMS Current)				dBA Reverberant Ratings per UL464 (dBA @ 10 ft.)		dBA Anechoic Ratings per CAN/ULC S525 (dBA @ 10 ft.)	
		Reg 12 VDC	Reg 12 FWR	Reg 24 VDC	Reg 24 FWR	Reg 12 VDC/FWR	Reg 24 VDC/FWR	Reg 12 VDC/FWR	Reg 24 VDC/FWR
2400 Hz	High	119	79	87	125	87	87	99	100
	Mid	44	46	28	74	82	82	94	96
	Low	30	30	18	41	79	80	92	92
Electro-Mechanical	High	118	77	81	121	86	87	100	100
	Mid	43	43	26	67	82	84	96	97
	Low	27	29	16	36	79	80	93	93
Broadband	High	146	125	78	148	86	86	101	102
	Mid	41	63	26	64	81	82	96	98
	Low	28	40	16	39	77	79	94	95
Chime	High	27	35	21	27	70	70	86	86
	Mid	11	15	8	13	62	62	79	80
	Low	9	11	7	12	58	57	75	75

Temporal Horn Current

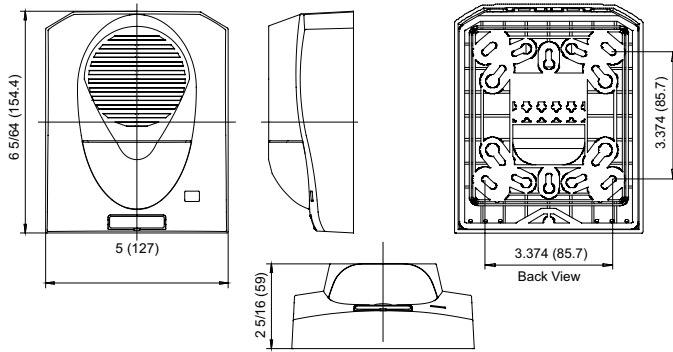
Pattern	Volume	Max. RMS Operating Current (mA RMS Current)				dBA Reverberant Ratings per UL464 (dBA @ 10 ft.)		dBA Anechoic Ratings per CAN/ULC S525 (dBA @ 10 ft.)	
		Reg 12 VDC	Reg 12 FWR	Reg 24 VDC	Reg 24 FWR	Reg 12 VDC/FWR	Reg 24 VDC/FWR	Reg 12 VDC/FWR	Reg 24 VDC/FWR
2400 Hz	High	124	70	87	132	82	82	100	100
	Mid	46	38	30	83	77	79	95	96
	Low	30	28	18	36	74	75	92	92
Electro-Mechanical	High	114	69	80	134	83	82	100	101
	Mid	42	40	27	67	78	80	95	96
	Low	28	27	16	36	75	76	93	93
Broadband	High	151	117	80	146	82	82	101	102
	Mid	45	59	26	73	77	78	97	98
	Low	30	42	16	31	75	76	94	95
Chime	High	29	35	21	28	68	70	86	86
	Mid	10	17	9	12	61	61	79	79
	Low	9	12	8	9	55	55	75	76

March Time Horn Current

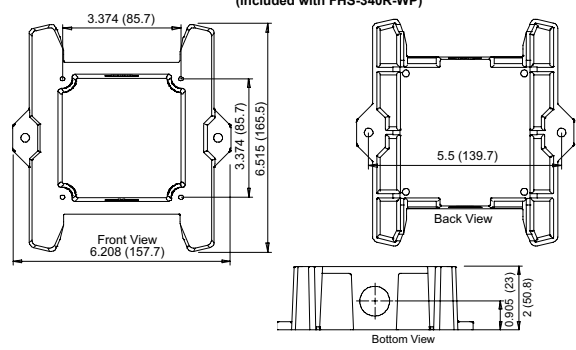
Pattern	Volume	Max. RMS Current (mA RMS Current)				dBA Reverberant Ratings per UL464 (dBA @ 10 ft.)		dBA Anechoic Ratings per CAN/ULC S525 (dBA @ 10 ft.)	
		Reg 12 VDC	Reg 12 FWR	Reg 24 VDC	Reg 24 FWR	Reg 12 VDC/FWR	Reg 24 VDC/FWR	Reg 12 VDC/FWR	Reg 24 VDC/FWR
2400 Hz	High	121	70	92	132	83	84	99	100
	Mid	47	39	31	76	79	81	95	96
	Low	36	25	19	35	76	77	92	92
Electro-Mechanical	High	114	69	86	125	83	83	100	100
	Mid	42	37	27	67	80	81	95	96
	Low	30	26	19	37	77	77	92	93
Broadband	High	153	121	77	126	83	84	101	102
	Mid	42	55	28	56	79	80	97	98
	Low	29	42	16	26	76	77	94	95

Dimensions Inches (mm)

FHS-340R-WP HORN/STROBE

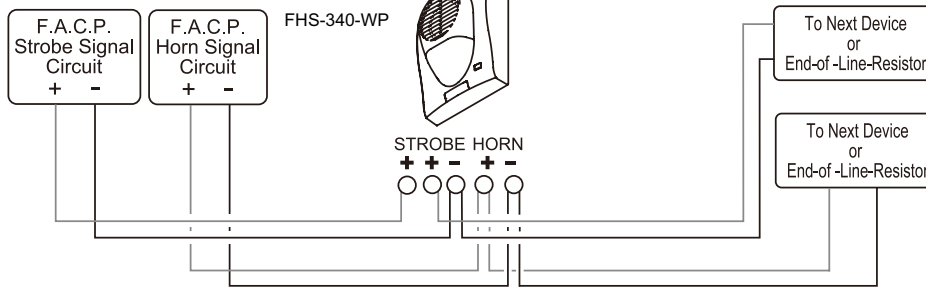


WEATHERPROOF BACK BOX
(included with FHS-340R-WP)

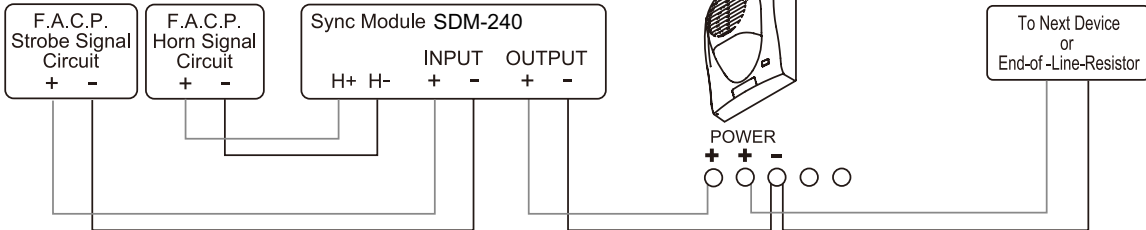


Wiring Diagram

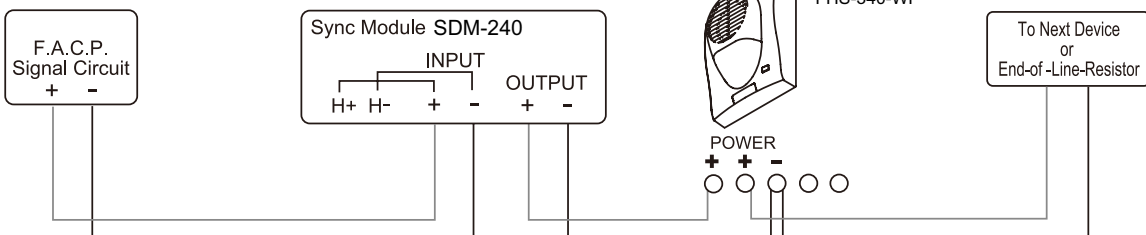
Horn / Strobe Signal Operate Independently



Horn / Strobe Wiring Diagram for Audible Strobe Class "B" Circuit with Audible Silence Feature. (FHS-340)



Horn or Strobe Wiring Diagram for Audible Strobe Class "B" Circuit without Audible Silence Feature.



Refer to the SDM-240 Sync Module instruction manual for Class "A" wiring or other application diagrams.

Ordering Information

Model Number	Description
FHS-340R-WP	Wall Mount Weatherproof Horn/Strobe c/w weatherproof backbox, Red

NOT TO BE USED FOR INSTALLATION PURPOSES.



Canada
25 Interchange Way
Vaughan, Ontario L4K 5W3
Telephone: (905) 660-4655
Fax: (905) 660-4113

U.S.A.
4575 Witmer Industrial Estates
Niagara Falls, NY 14305
Toll Free: (888) 660-4655
Fax Toll Free: (888) 660-4113

Web page: <http://www.mircom.com> Email: mail@mircom.com

Distributed by:

ISO 9001:2008
REGISTERED



CAT. 5271
Rev. 1